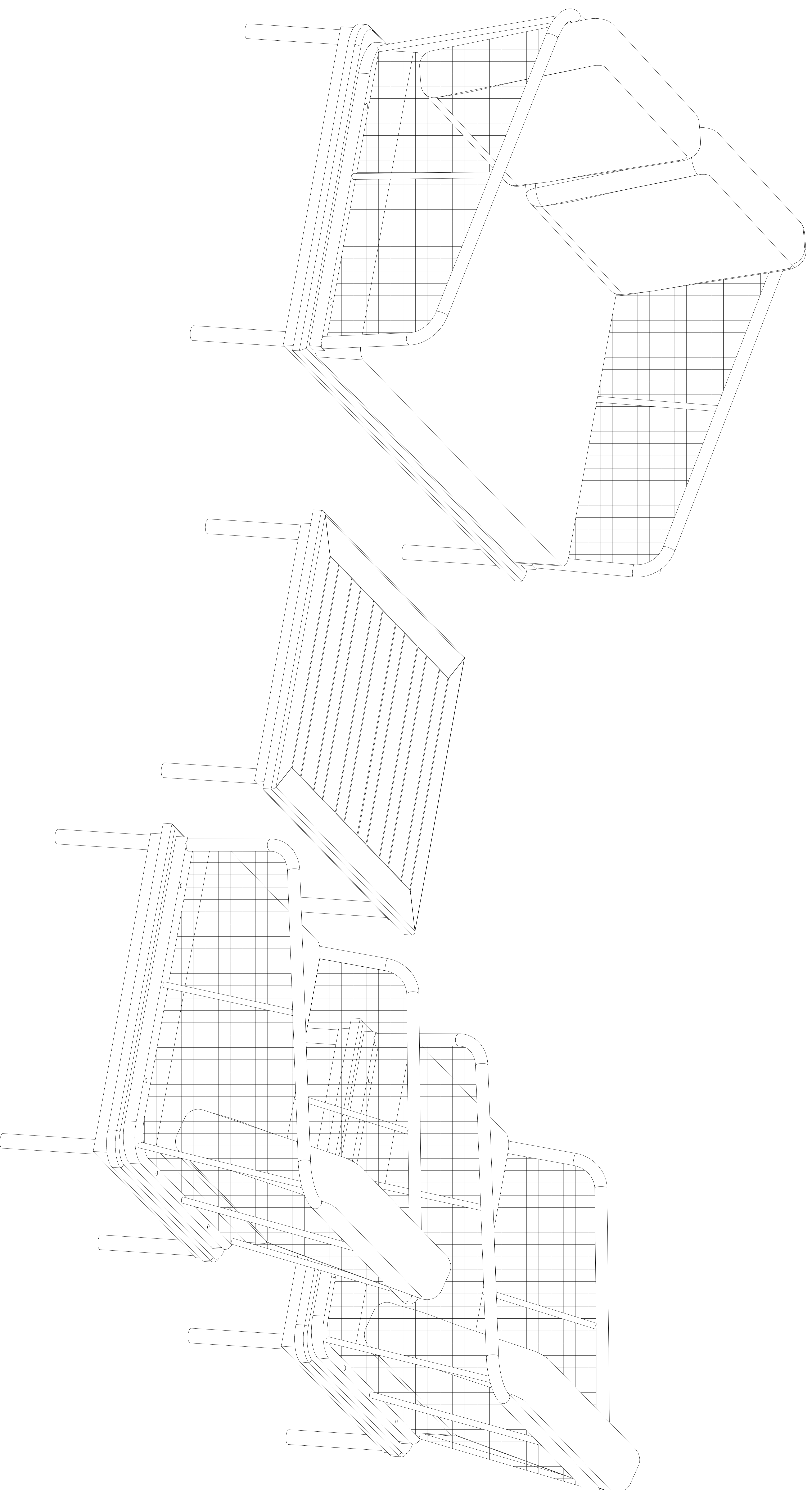


ASSEMBLY INSTRUCTION

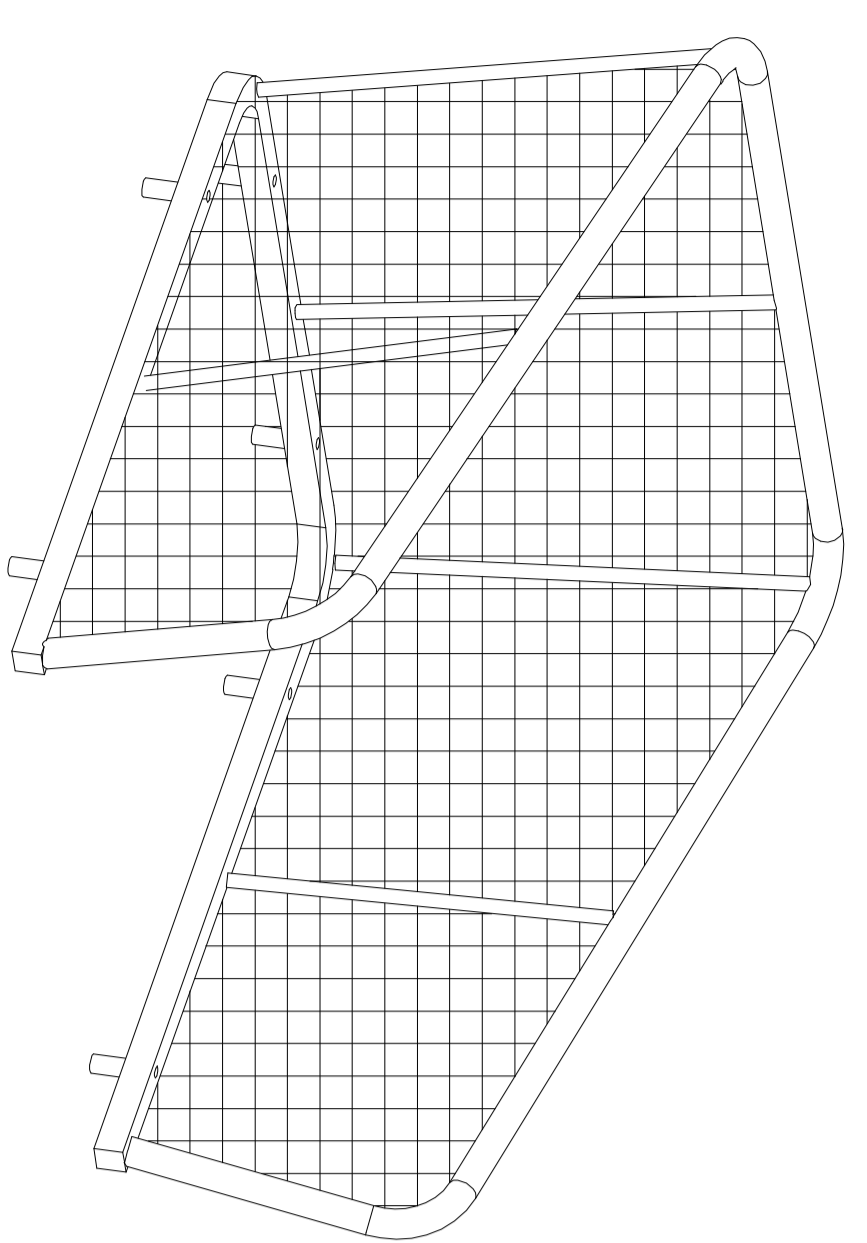
Art No.: 9583 - 019



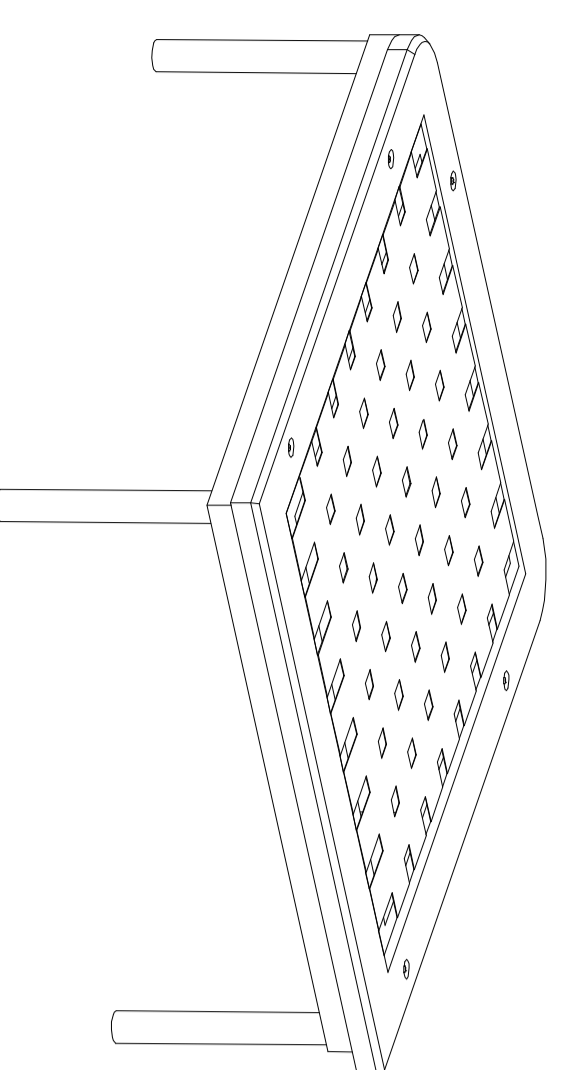
ASSEMBLY INSTRUCTION

Art No.: 9583 - 019

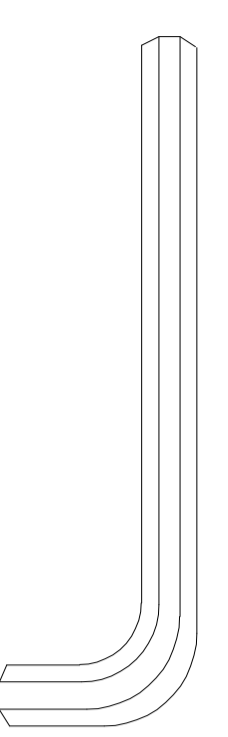
(1) = 2 Chair top



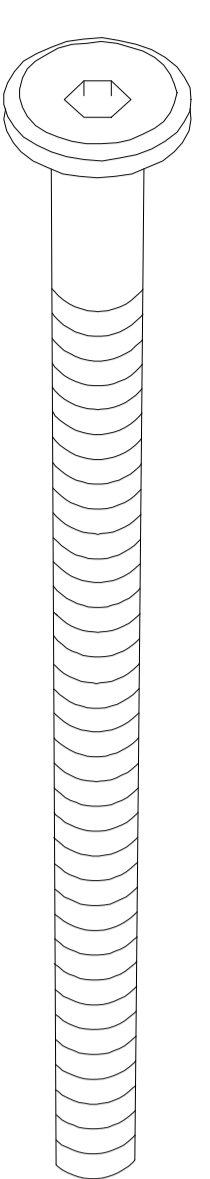
(2) = 2 Chair leg



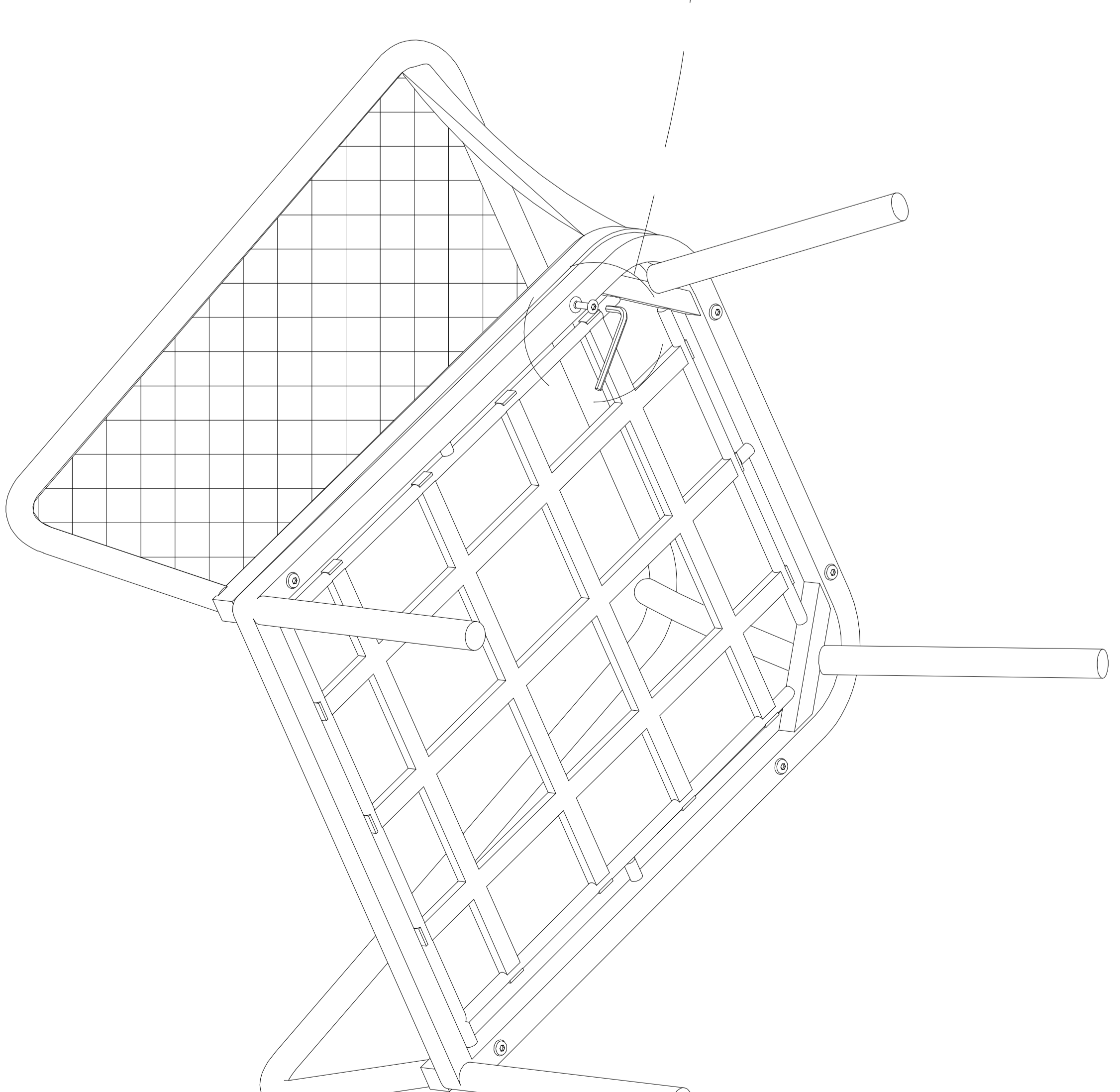
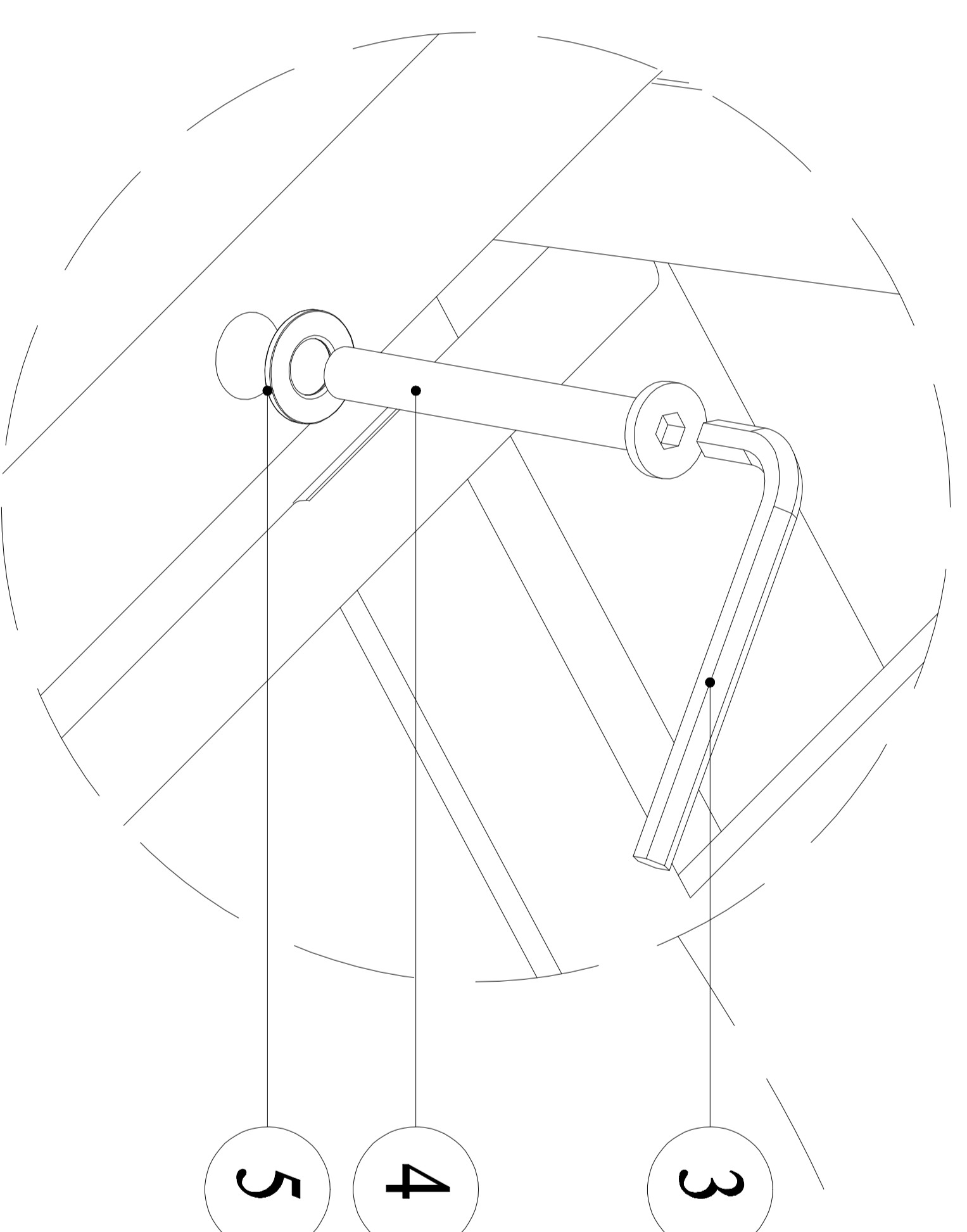
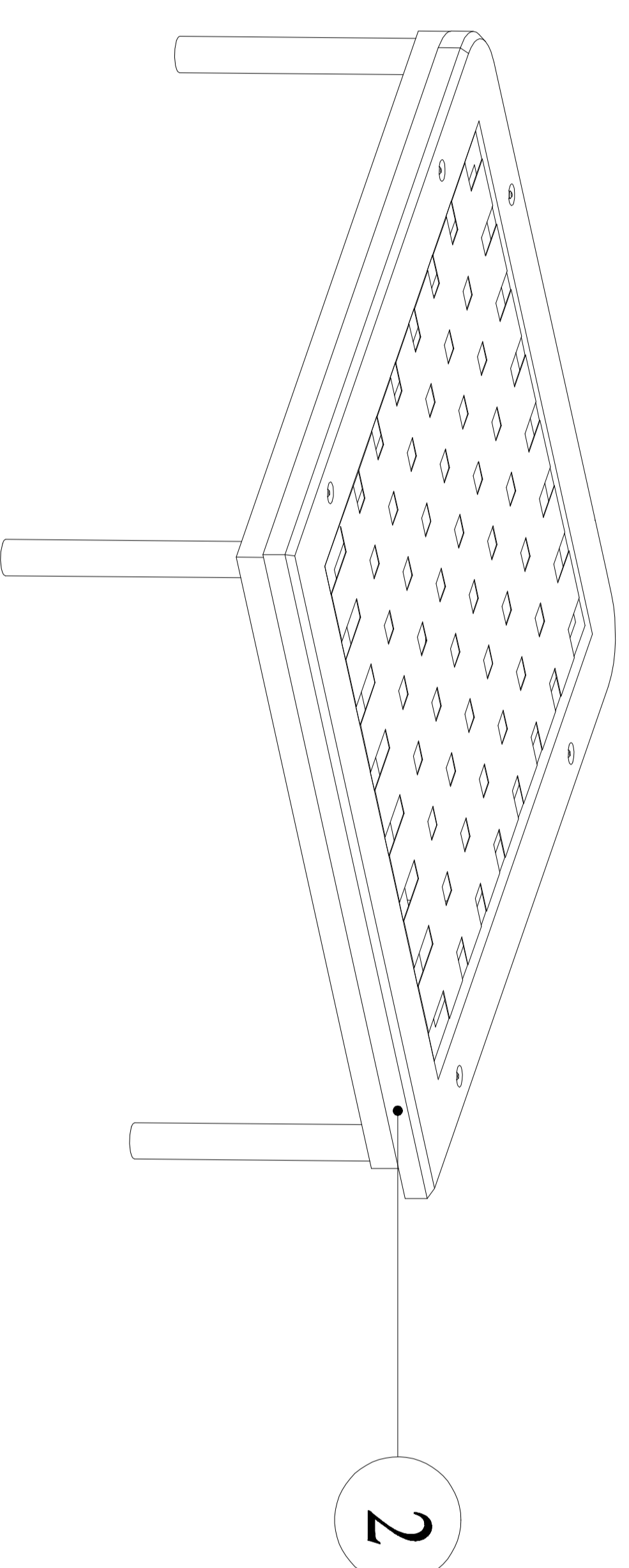
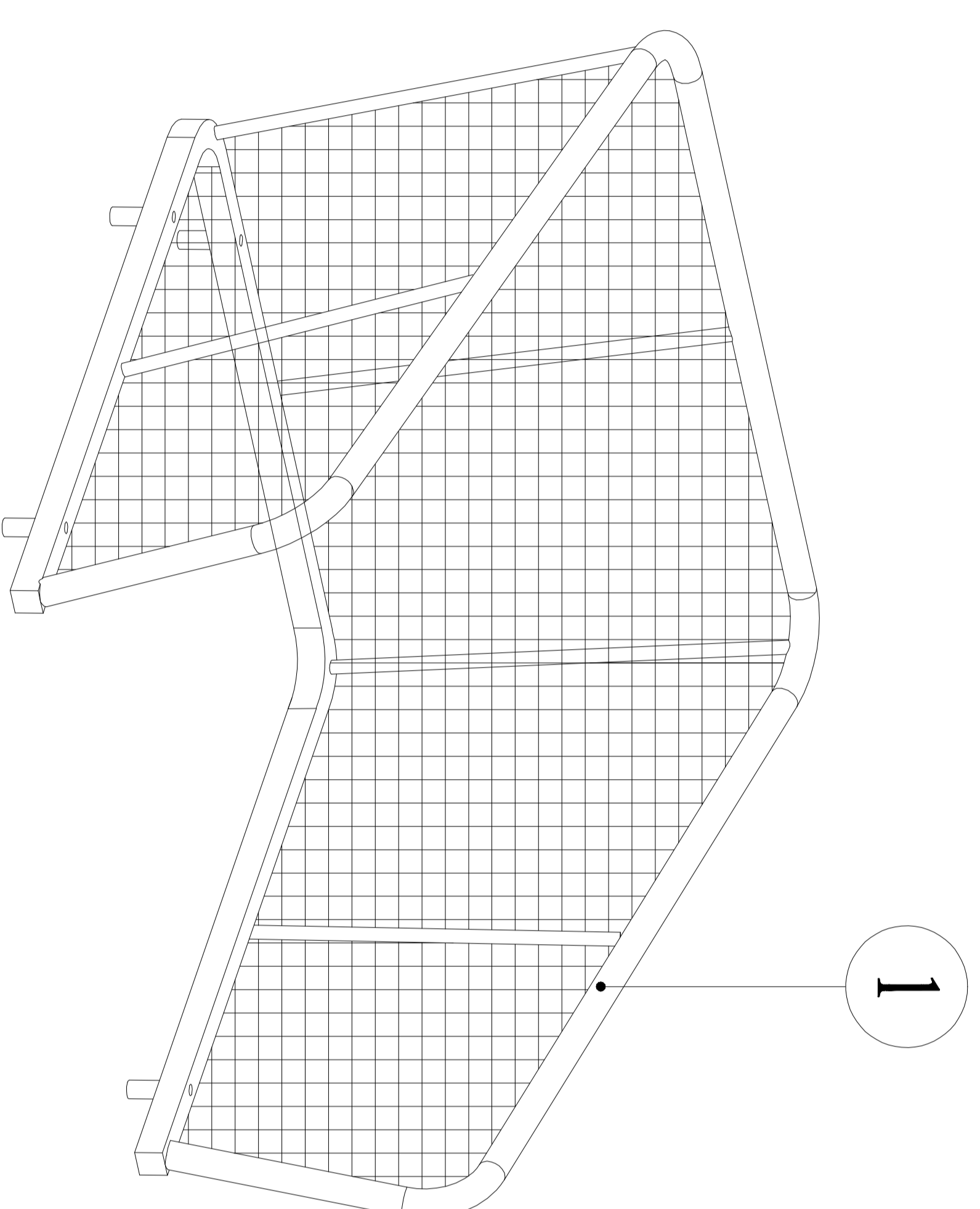
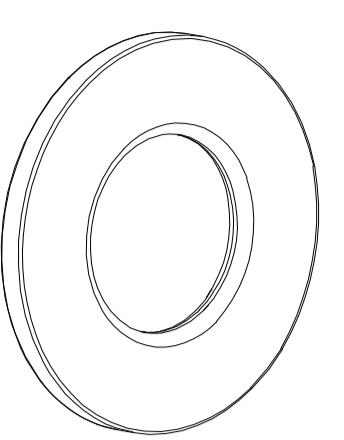
(3) = 1 Spanner



(4) = 19 Bulong (M6 * 90)



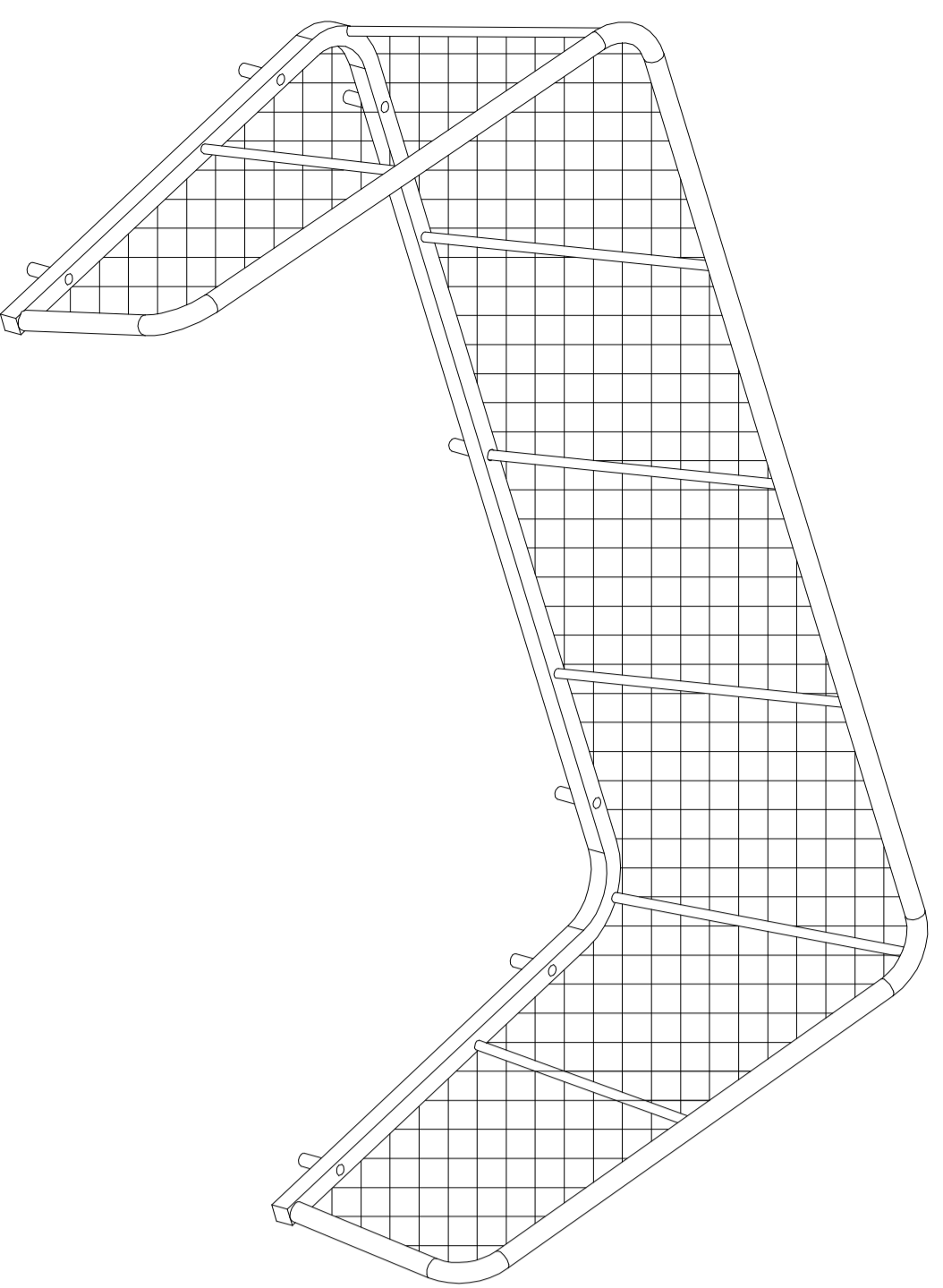
(5) = 19 Flat Washer



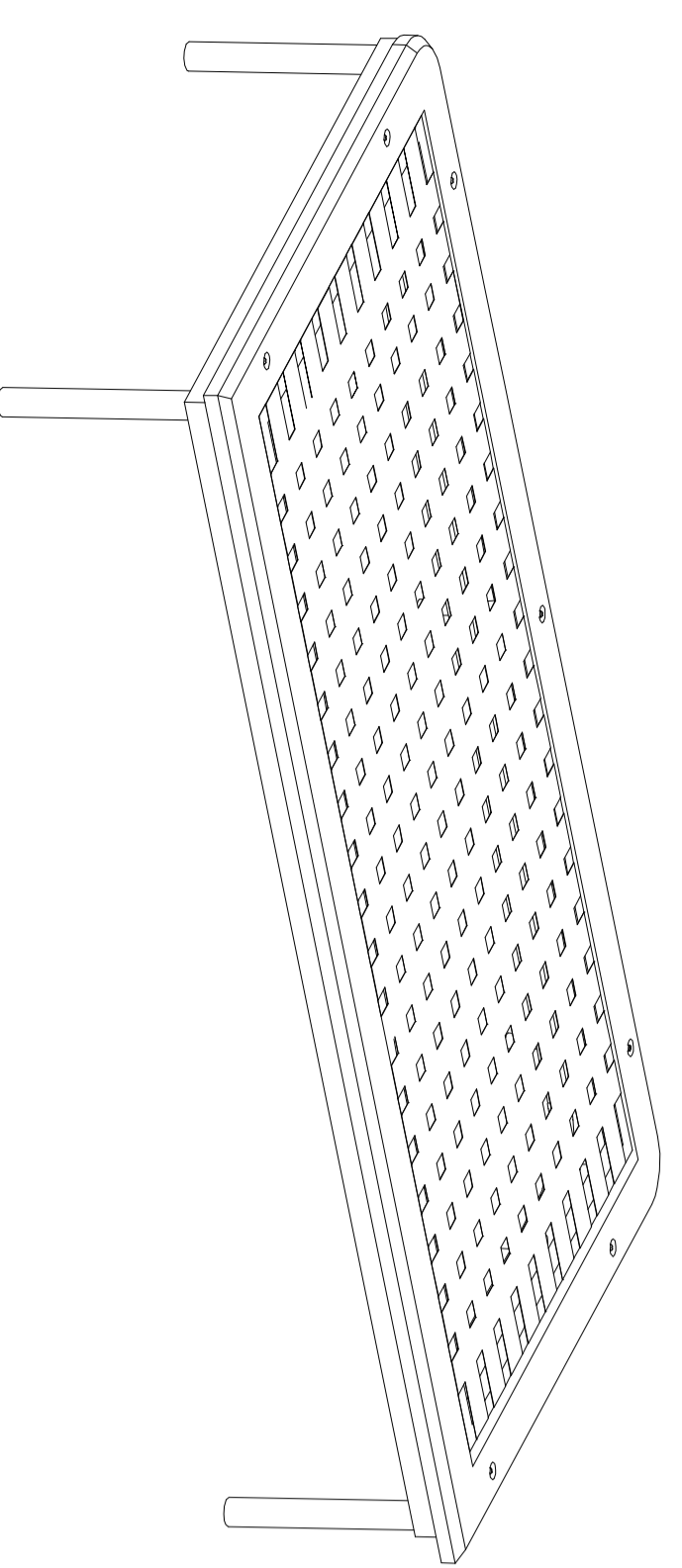
ASSEMBLY INSTRUCTION

Art No.: 9583 - 019

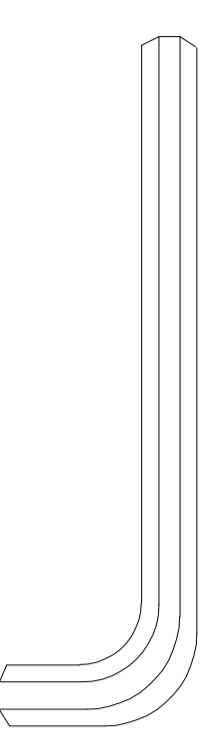
(1) = 1 Bench top



(2) = 1 Bench leg

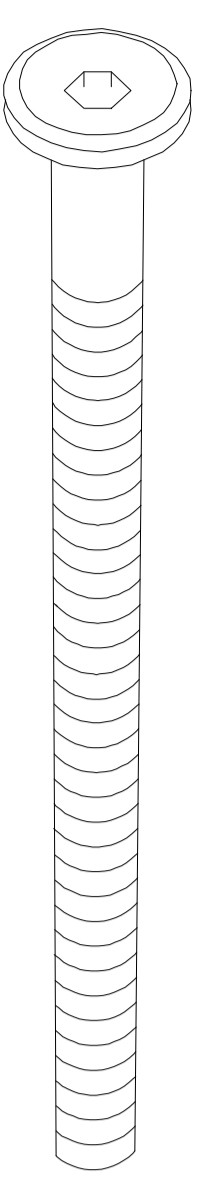


(3) Spanner



(4) Bulong

(M6 * 90)



(5) Flat Washer

